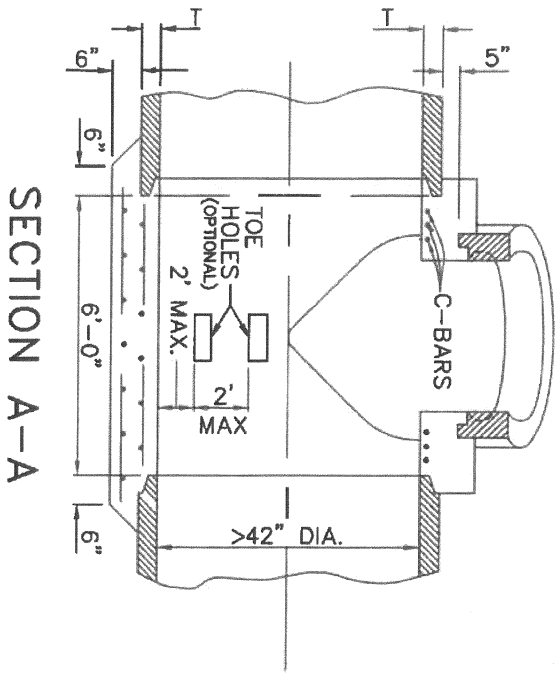
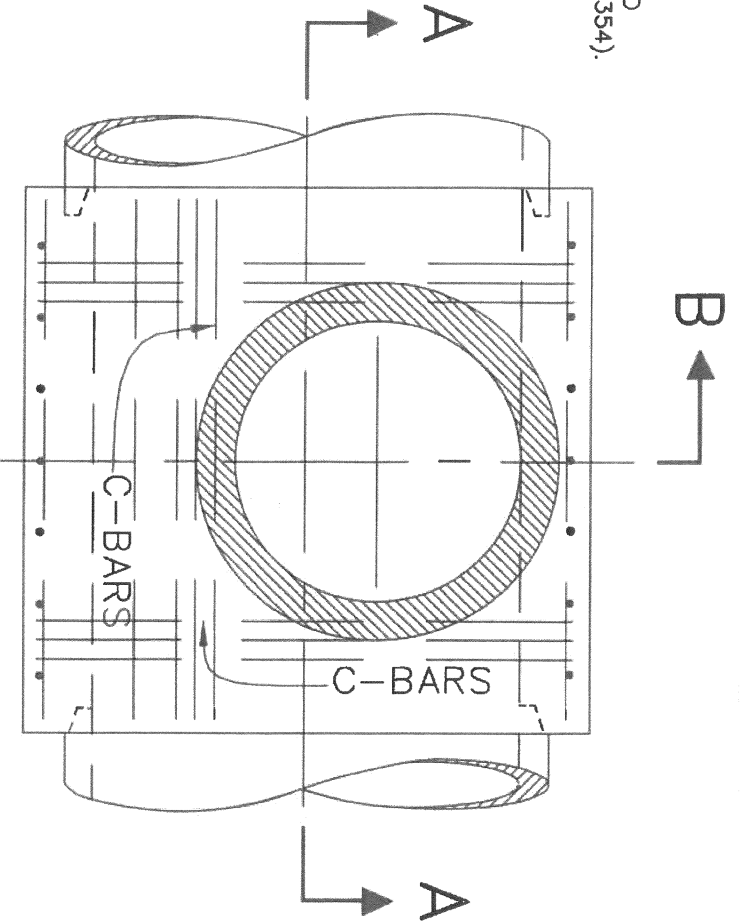


USE SAME BARREL AND CONE AS SHOWN FOR STANDARD MANHOLES ON CONDUITS 42" AND UNDER (ACC. NO. 120354).



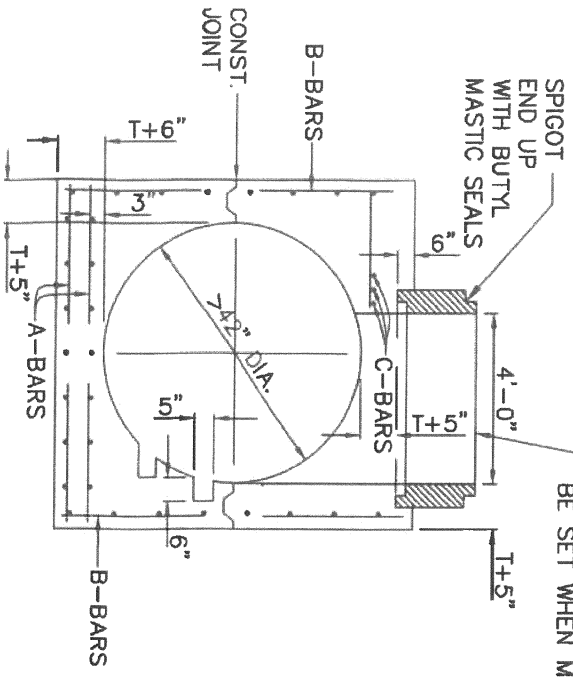
SECTION A-A



PLAN

1' OR 2' PRECAST MANHOLE SECTION TO BE SET WHEN MANHOLE BASE IS POURED

REINFORCING SHOWN IN TOP SLAB



SECTION B-B

49040 - Standard Manhole on Conduits Greater than 42"

Approved *Teri Taylor*
City Stormwater Management Engineer



A Division of Greater Cincinnati Water Works

C I N C I N N A T I
STORMWATER
MANAGEMENT UTILITY

PAGE 1 OF 2

Revision Date: 02/01/2025

General SMU Notes

1. Inlet chambers shall be precast or made from concrete blocks in accordance with latest ODOT CMS, City Supplement specifications, and SMU drawings.
2. All structures must meet standard inside dimensions.
3. Block chambers shall be made from solid slab blocks.
4. Mortar joints shall be a minimum of 3/8".
5. Block walls shall be skim coated with a minimum 1/8" mortar.
6. Casting shall be set in a bed of mortar.
7. Precast box shall be set on a bed of 6" compacted #57 stones with the floor poured to match flow lines.
8. Concrete floors shall be a minimum of 6" thick.
9. Precast walls shall be a minimum 6" thick.
10. Pipes shall **NOT** enter within 8" of an inside corner.
11. Outlet pipe shall be flush with wall or protrude no more than 1".
12. For incoming conduits with diameter of 8" and smaller see Acc. # 120340.
13. No more than two inlet connections spaced 2'+/- apart horizontally shall be permitted in a 3' or 4' manhole section without approval by SMU.
14. Drop manholes, hubs, or benching shall be done only with the approval from SMU.
15. All reinforcing bars shall clear interior face of wall by 2".
16. For installation of risers, a 1" tolerance in either direction is permitted.
17. Protrusions for inlet pipes shall be a minimum of 1" and a maximum of 2".
18. All pipes shall be set in a bed of mortar; dry fitting is NOT permitted.
19. Pipe edges shall be smooth. Jagged edges are NOT permitted.
20. Shop drawings for precast structures shall be approved prior to work commencing.
21. All penetrations shall be manufactured or cored and shall NOT exceed 4" greater than the conduit's outside diameter.
22. The following are NOT permitted for SMU structures
 - a. Shims
 - b. Block floors
 - c. Steps or Ladders
 - d. Knockouts
 - e. Inlet connections in cone sections

Standard Manhole on Conduits Greater than 42"

1. Barrel and cone sections shall be the same as Acc. No. 120354.
2. All concrete shall be QC1.
3. All steel shall have 2" cover except where noted.
4. Longitudinal steel - no. 5 bars @ 18" O.C.
5. A and B bars - 12" O.C. as shown.
6. C bars - 3" O.C. as shown.
7. A, B, and C bars -
 - A - #5 bars on 48" to 60" sewer.
 - B - #6 bars on 66" to 78" sewer.
 - C - #7 bars on 84" to 108" sewer.

Revision
Date:
02/01/2025

A Division of Greater Cincinnati Water Works

C I N C I N N A T I
STORMWATER
M A N A G E M E N T U T I L I T Y



49040 - Standard Manhole
on Conduits Greater than 42"

Approved

City Stormwater Management Engineer

Eric Taylor